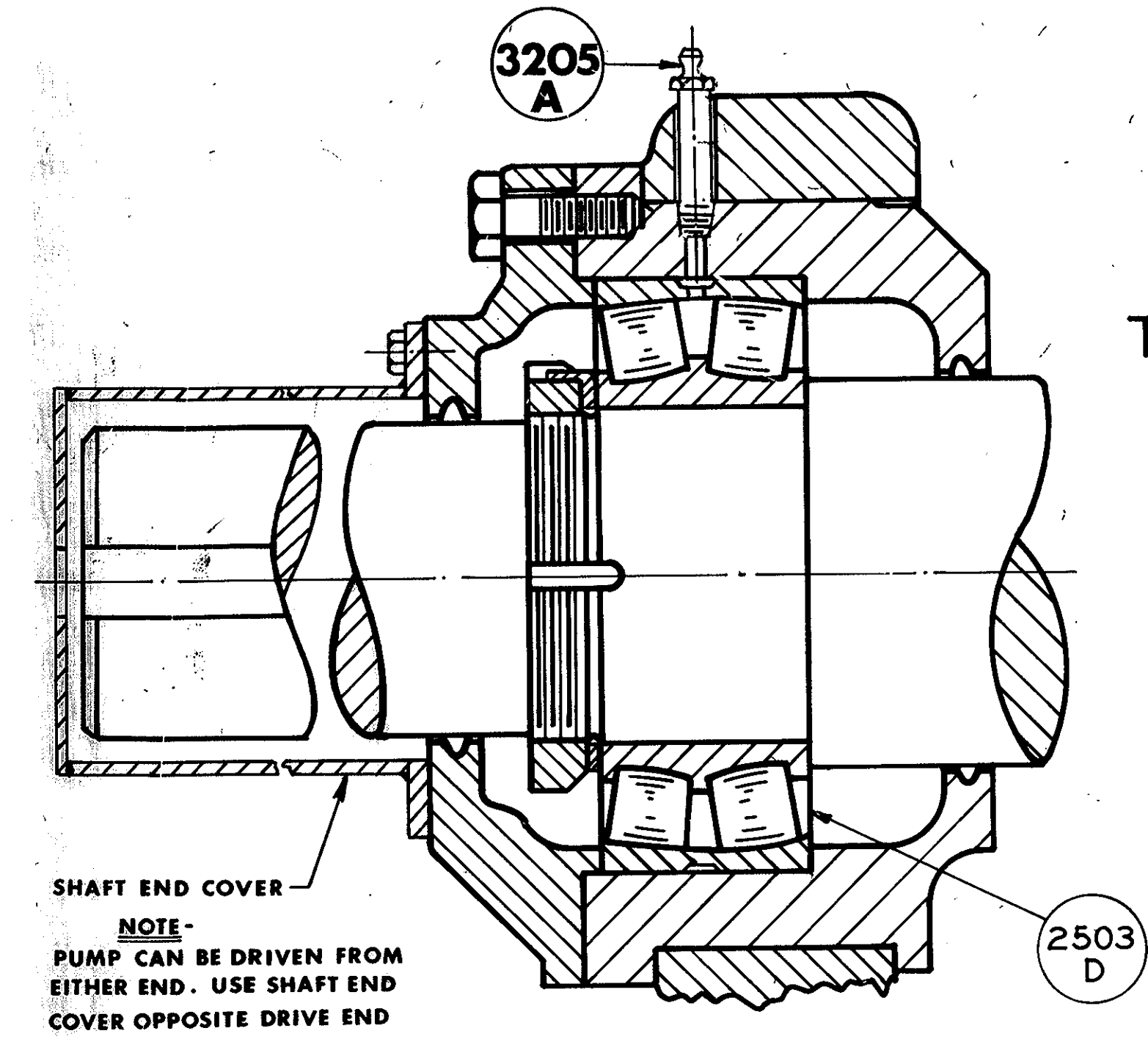
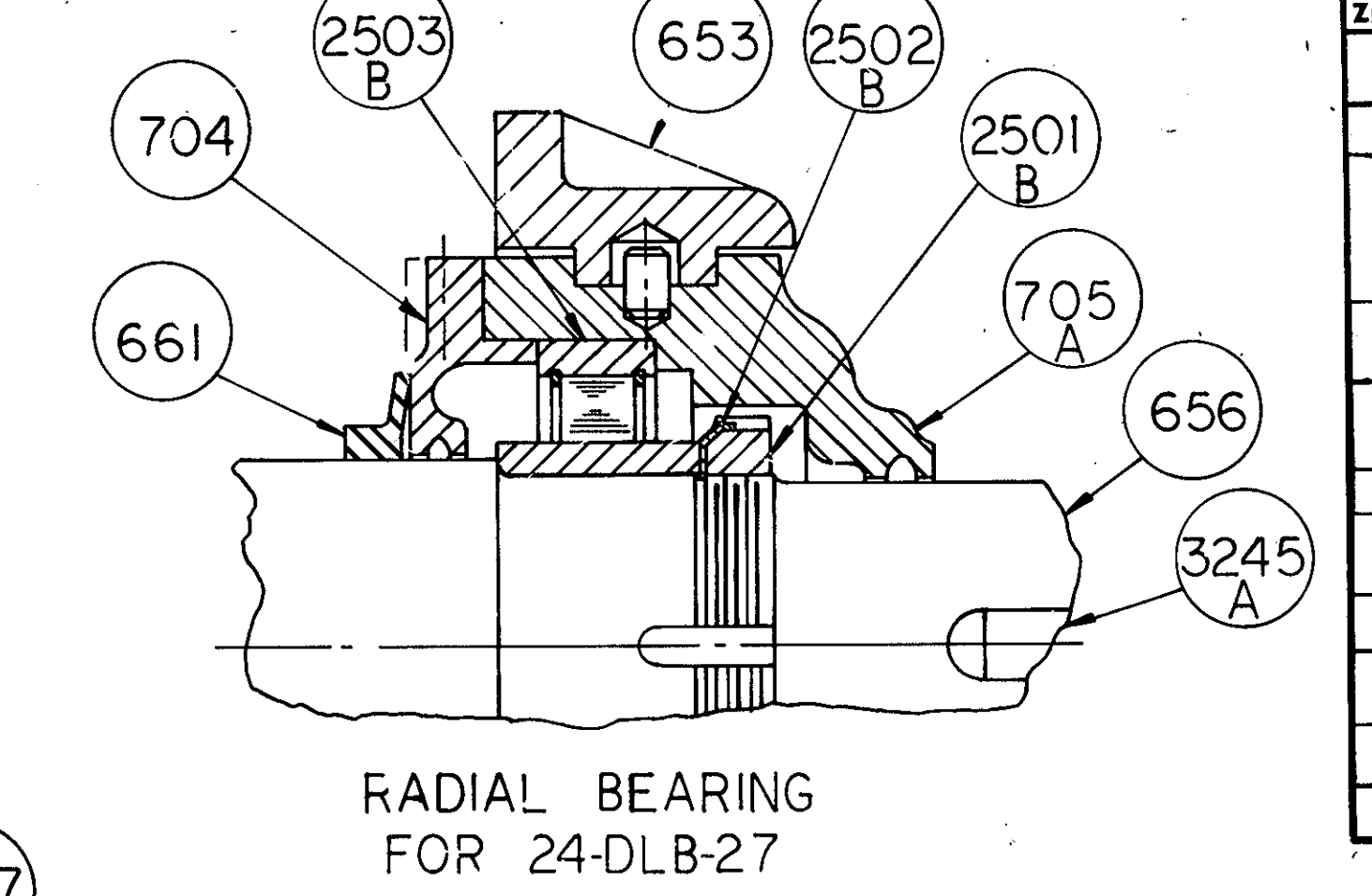


ZONE NO	REVISIONS	DATE	APPROVED	MICRO FILMED
11	ADDED ASSY NOTE TO VIEW OF ALTERNATE METHOD OF DOWELING BRG. BRKT. TO CASING.	6/23/83		
12	ADDED TABULATIONS TO VIEW OF ALTERNATE DOWELING METHOD & REVERSED PC. 2135 PC. 0075 WAS 3500B, PC. 2135 WAS 3500A, PC. 3461 WAS 3460, ADDED DOUBLE DELTA NOTE	6/20/85		APR 23 1985

ZONE NO	REVISIONS	DATE	APPROVED	MICRO FILMED
1	ADDED PART NO. 705A.	4-16-70	REC	
2	REORAWN, REVISED NOTES.	6-17-70	P.D. H.C.	
3	ADDED SHAFT END COVER TO 30-DLB-31 VIEW-ADDED PART NO. 3205 A TO 30-DLB-31 VIEW & PARTS LIST	3-4-71	ARO	
4	ADDED PT. NO. 2572 & REMOVED PT. NO. 847B FOR 30-DLB-31	5-11-71	H.C.	
5	ADDED RADIAL BEARING FOR 24DLB27 4-3-72 J.R.W.			
6	REMOVED THROAT BUSHING PINS 6-5-72 RAS			
7	ADDED ASTERISK TO PARTS LIST 8-7-72 J.R.W.			
8	ADDED PART NO. 3534.	2-22-73	J.B.	
9	ADDED VIEW SHOWING OIL LUB WATER COOLED BRG. HOUSING & RELATED PART 7-24-73			
10	ADDED VIEW SHOWING PC'S 657A, 666A, 3500 B & C 3/12/82		RAS	

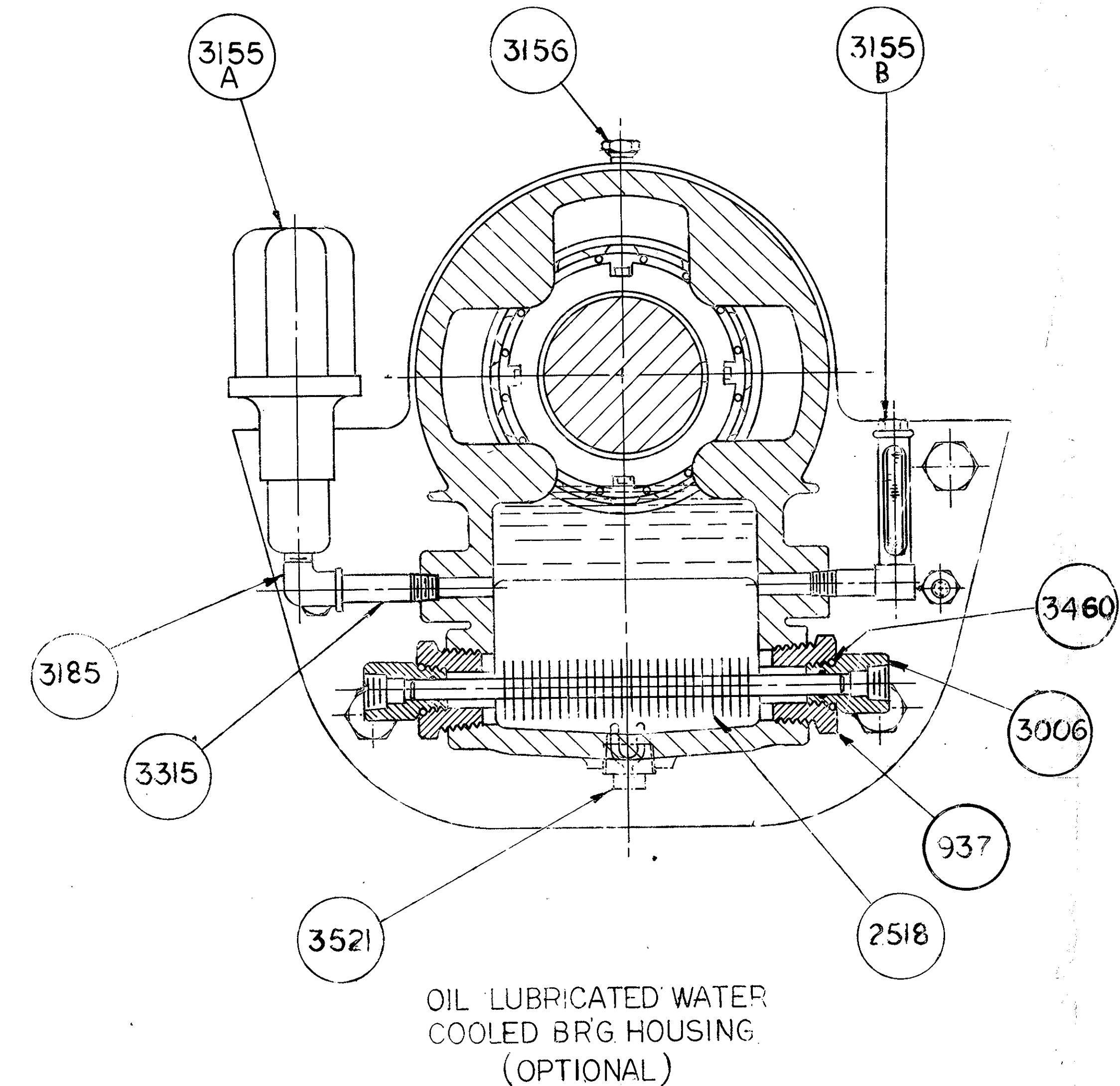


THRUST BEARING FOR 30-DLB-31

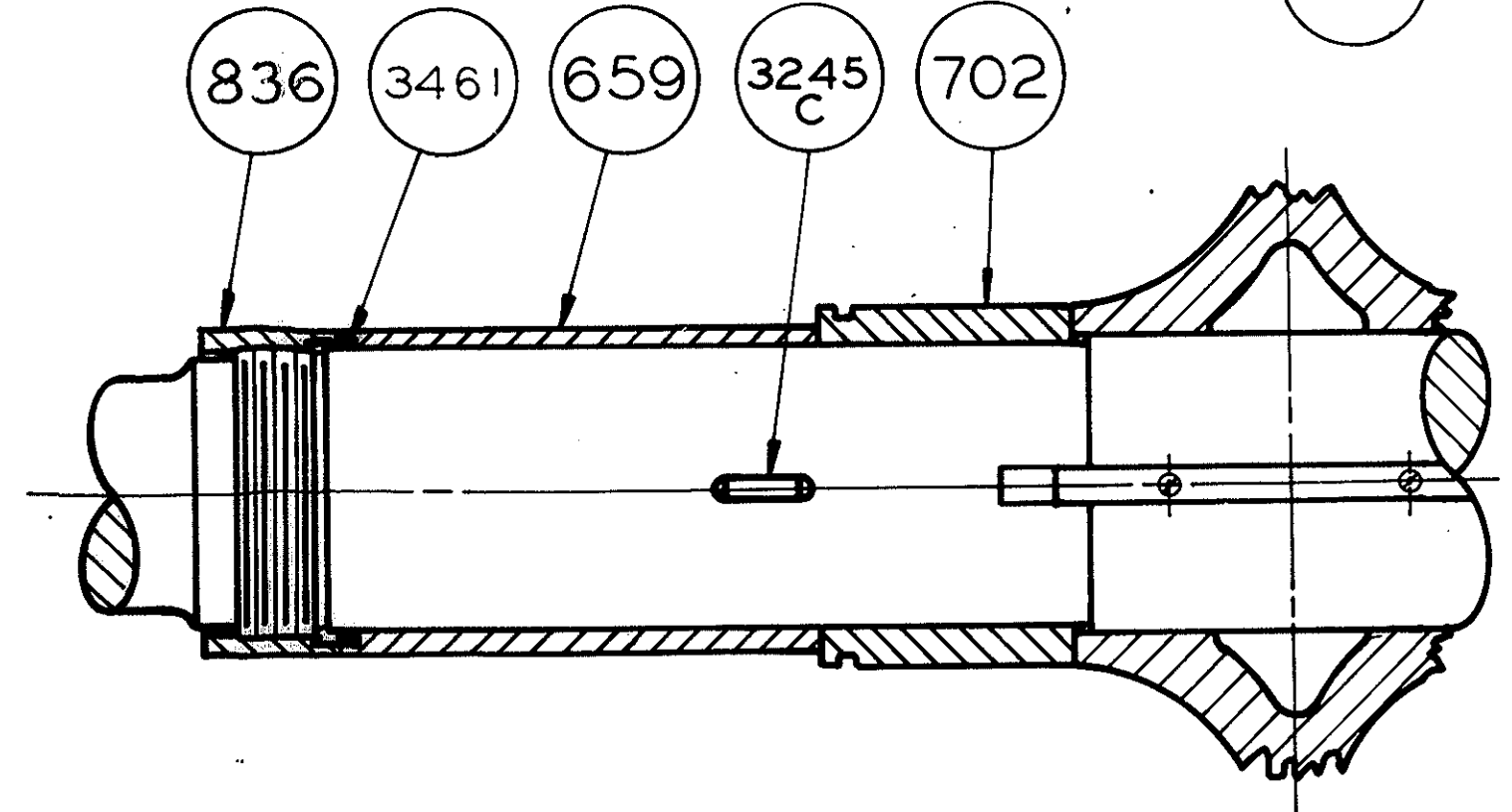
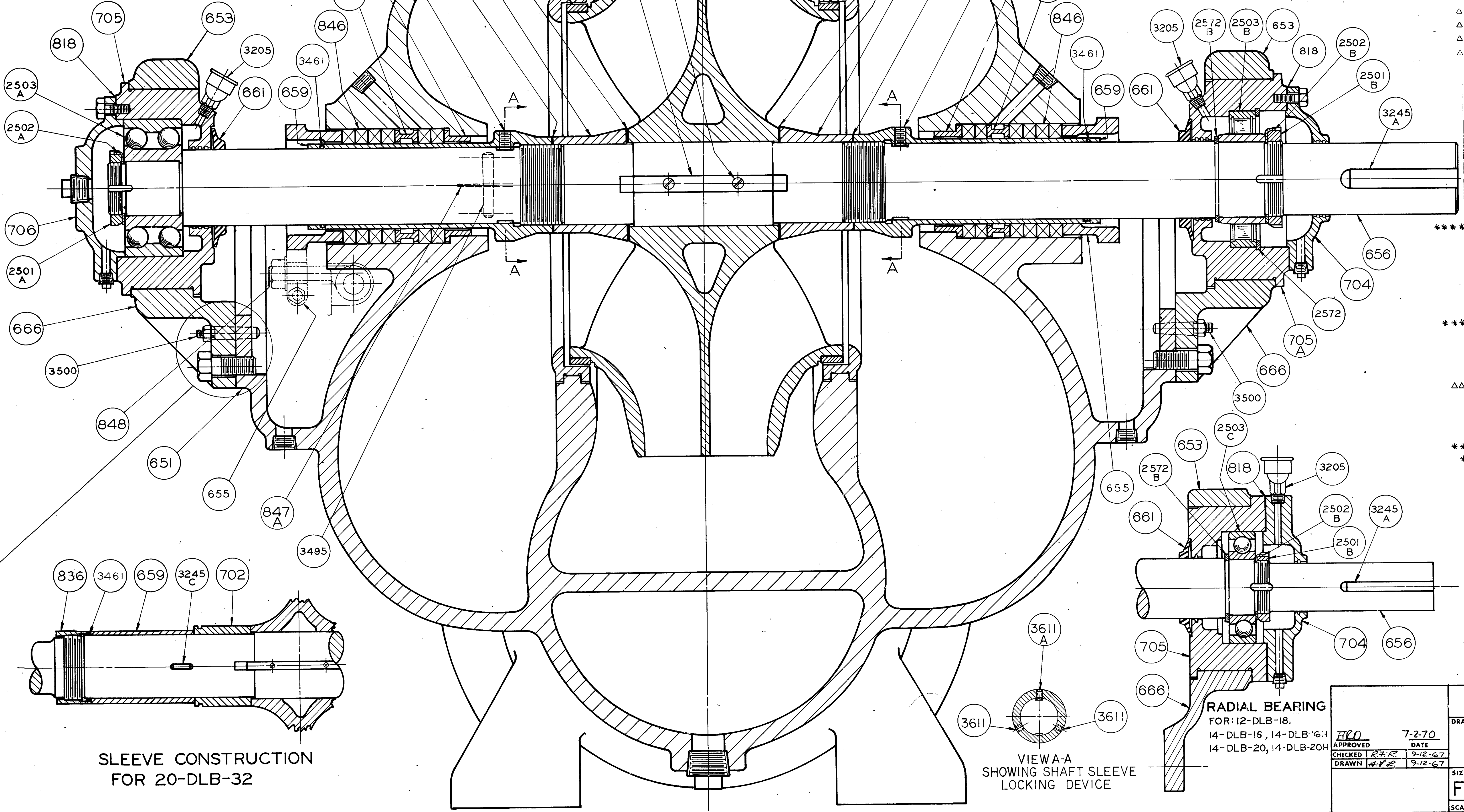


RADIAL BEARING FOR 24-DLB-27

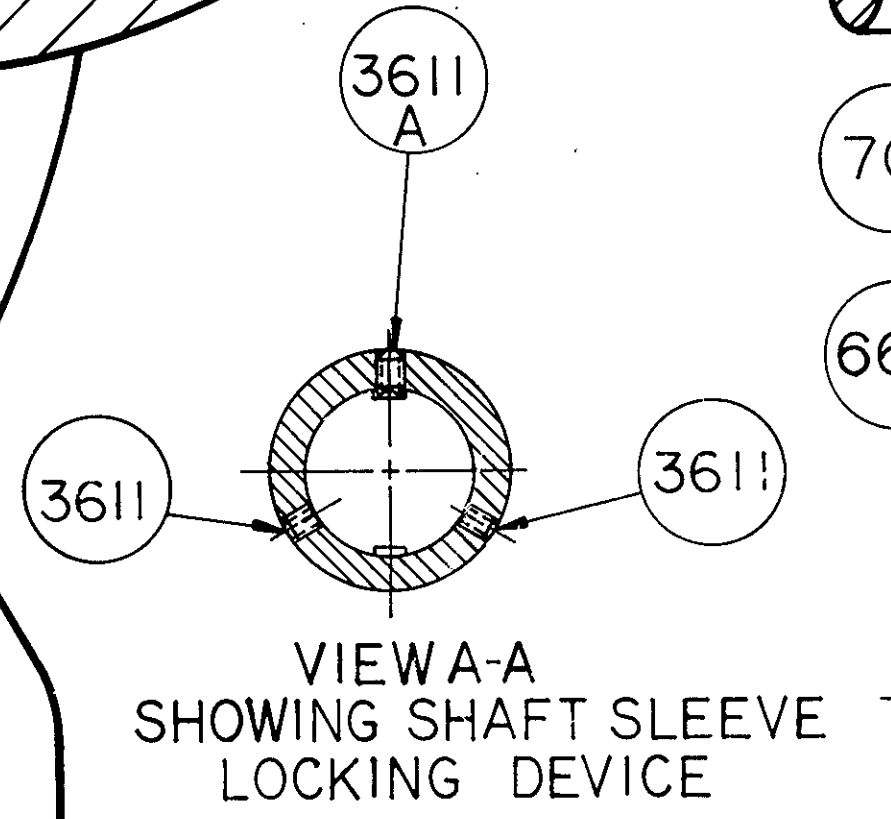
* NOT REQ'D ON 12-DLB-18,
 ** NOT REQ'D ON 12-DLB-18, 14-DLB-16, 14-DLB-16H,
 14-DLB-20, 14-DLB-20H, 16-DLB-26 & 30-DLB-31
 *** USED ON RADIAL & THRUST BEARINGS FOR 14-DLB-16 & 14-DLB-16H AND FOR RADIAL BEARING ON ALL OTHER SIZES EXCEPT 20-DLB-30, 24-DLB-27 & 30-DLB-31
 **** NOT REQ'D ON 24-DLB-27
 Δ OPTIONAL
 ΔΔ ONLY (1) PACKING RING REQ'D BETWEEN PC. NO. 679 & PC. NO. 660 ON 24-DLB-27 & 24-DLB-32



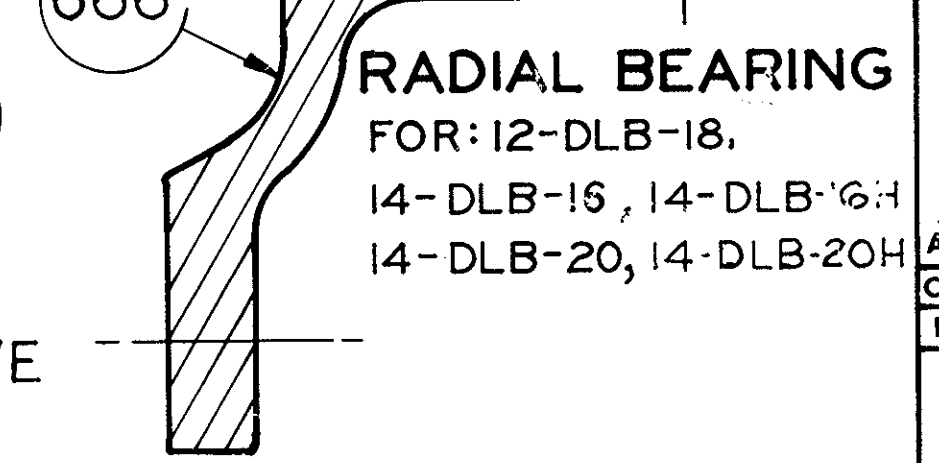
OIL LUBRICATED WATER COOLED BRG HOUSING (OPTIONAL)



SLEEVE CONSTRUCTION FOR 20-DLB-32



VIEW A-A SHOWING SHAFT SLEEVE LOCKING DEVICE



RADIAL BEARING FOR: 12-DLB-18, 14-DLB-16, 14-DLB-16H, 14-DLB-20, 14-DLB-20H

NO.	NAME
2135	DOWEL PIN
0075	BUSHING
3521	MAGNETIC PIPE PLUG
3461	O RING
3315	PIPE NIPPLE
3185	STREET ELBOW
3156	AIR VENT
3155B	SIGHT GAGE
3155A	OILER
3006	CONNECTOR
256	OIL COOLER
937	PLUG
3534	FLAT HEAD MACHINE SCREW
3205A	GREASE FITTING
705A	BEARING HOUSING - PLAIN
2503D	THRUST BEARING (ROLLER)
3611A	LOCKNUT SCREW (CUP POINT)
3611	LOCKNUT SCREW (CUP POINT)
3500	TAPER PIN W/NUT
3495	TAPER PIN
3460	"O" RING
3245C	KEY (SLEEVE)
3245B	KEY (IMPELLER)
3245A	KEY (COUPLER)
3205	GREASE FITTING
2572	SNAP RING
2503	BEARING, RADIAL (ROLLER)
2503B	BEARING, RADIAL (BALL)
2503A	BEARING, THRUST (BALL)
2502B	BEARING, LOCKWASHER (PLAIN END)
2502A	BEARING, LOCKWASHER (THRUST END)
2501B	BEARING LOCKNUT (PLAIN END)
2501A	BEARING LOCKNUT (THRUST END)
2572B	SNAP RING
848	GLAND STUD
847C	GASKET (SHAFT SLEEVE)
847B	GASKET (SPACER)
847A	GASKET (CASE)
846	PACKING
818	BEARING HOUSING GASKET
706	THRUST BEARING HEAD
705	BEARING HOUSING - THRUST
704	PLAIN BEARING HEAD
702	SPACER SLEEVE
679	THROAT LINING
836	NUT, (SHAFT SLEEVE)
666	BEARING BRACKET
661	SLINGER
660	WATER SEAL RING
659	SHAFT SLEEVE
658	IMPELLER RING
657	IMPELLER
656	SHAFT
655	GLAND
654	CASING RING
653	BEARING CAP
652	CASE COVER
651	CASE

PUMP SIZE	"X"
12-DLB-18	1/2
14-DLB-20	1/2
14-DLB-20H	1/2
5-DLB-21	1/2
30-DLB-31	1/4
24-DLB-32	1/4

ALTERNATE METHOD FOR DOWELING BRG BRACKET TO CASING
 ASSY NOTE: FOR 12-DLB-18, 14-DLB-20, 14-DLB-20H & 5-DLB-21 DOWEL PER SK-3246
 FOR 30-DLB-31 & 24-DLB-32 DOWEL PER SK-2825

WARREN PUMPS INC.
 WARREN, MASS 01083

DRAWING TITLE
SECTIONAL ASSEMBLY
12" THRU 30" DLB PUMPS

DATE: 7-2-70
 APPROVED: [Signature]
 CHECKED: [Signature]
 DRAWN: [Signature]

SIZE: CODE IDENTIFY DWG. NO.
F 63857 999F0256

SCALE: 1/4" = 1"

SHEET 1 OF 1 SHEETS