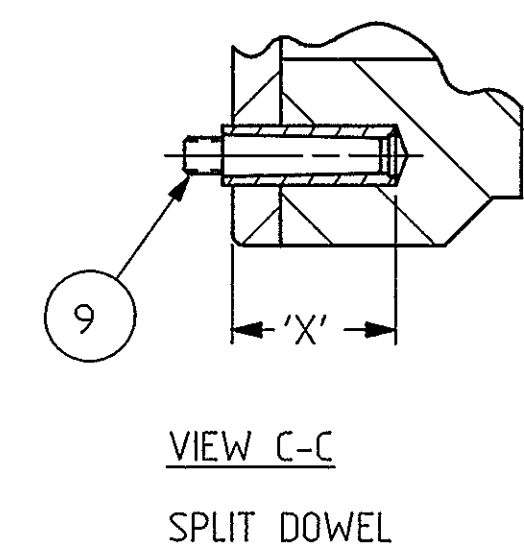


		REVISIONS			MICRO FILMED	
ZONE	LTR	DESCRIPTION	DATE	APPROVED		
	A	ADDED NOTES 1 & 2 & PC.68	R.D. 5/22/70			
C-8	B	REVISED NOTES ON BRGS. PC. 38	A.G. 8/25/70			
C-3	C	ADDED FILL CAP ASSEMBLY NOTE	R.D. 11/13/70			
D-3	D	ADDED NEW DESIGN FRONT HEAD.	R.D. 12/22/70			
	E	ADDED PC. 73 & 74	A.G. 8/2/71	E.S.		
B-8	F	REMOVED PC. 57 & ADDED NOTE.	R.D. 8/15/72	G.L.		
D-8	G	ADDED NOTE CLEAR. FOR 350°F & OVER	5/7/74	E.M.S.		
	H	ADDED EXPLODED VIEW OF THRUST BRG.	J.R. 6/23/77			
C-3	J	ADDED PC. 75	4/10/86	EMS		
ALL	K	REDRAWN ON CAD & PICTORALLY UPDATED.				
	L	ADDED PC'S 57, 66, 77, 83, 84 & 85. (ECR NO. 5891)	D.T/AAG 11/27/91	R A S		OCT 31 1991
C-2	L	ADDED VIEW C-C & TABULATION FOR SPLIT DOWELS. (ECR NO. 72601)	D.T/RD 8/9/94			AUG 17 1994

TABULATION	
PUMP SIZE	'X' DIM.
J-10X	1.00
J-20X	1.00
J-30X	1.00
J-40X	1.25
J-50X	1.50
J-60X	1.50
J-70X	2.00
J-80X	2.38

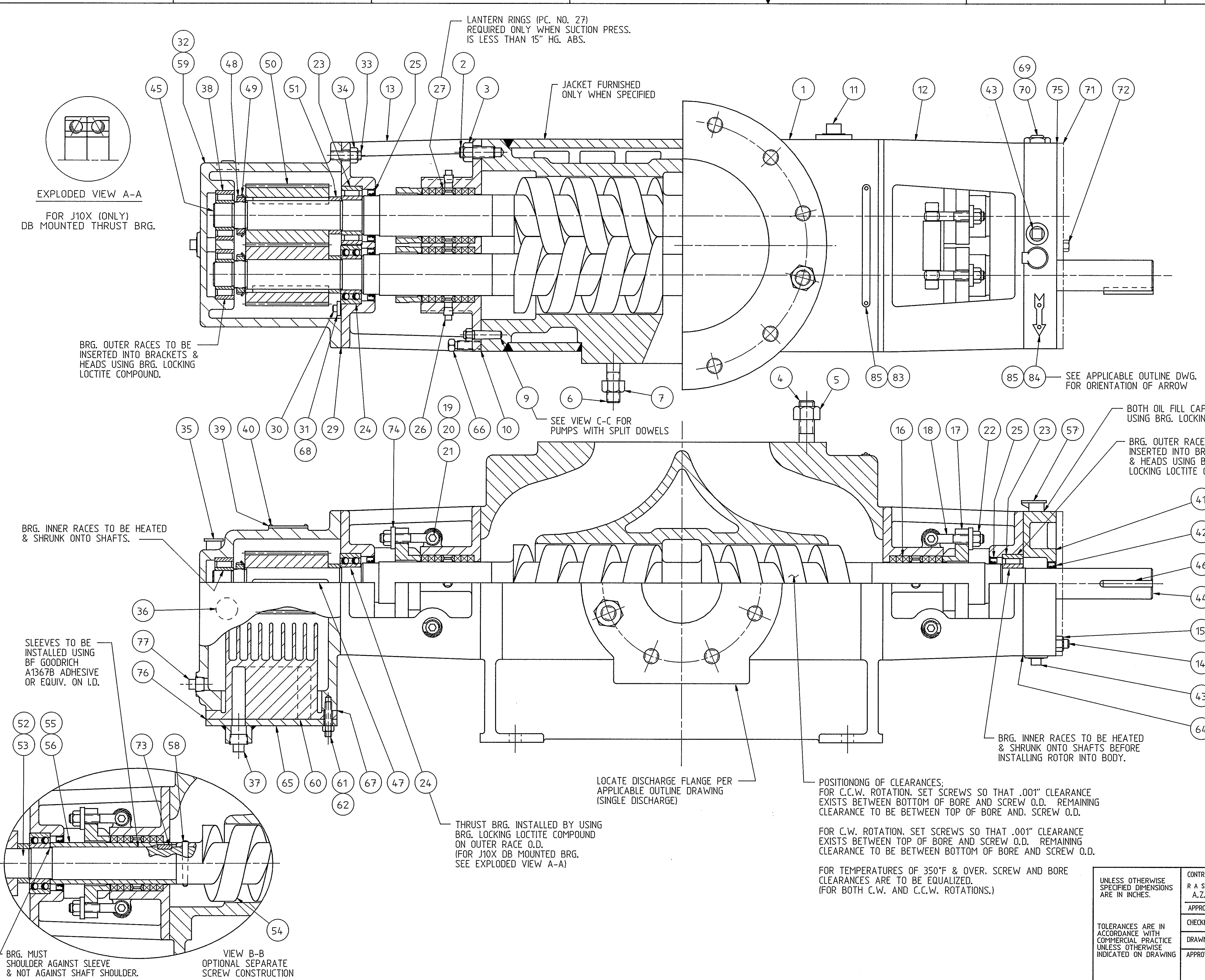


DRILL & REAM FOR SPLIT DOWEL (NOM DIA $+0$ -0.001) TO 'X' DIM. FOR APPLICABLE PUMP SIZE

NOTE 1:
FRONT BRACKET ASSEMBLY - J-30X & J-60X

FRONT HEAD 002B0358 FITS FRT. BRG. BRKT. OF BOTH J-20X & J-30X PUMPS. ON THE J-30X, NOTE THAT STUDS ON FRONT FACE OF BRKT. ARE ORIENTED CLOSER TO ONE END OF THE BRKT FLANGE. ASSEMBLE J-30X FRONT BRKT WITH STUDS OFFSET TOWARD LONG SHAFT SIDE. THE FRONT BRKT. FOR THE J-20X CAN BE MOUNTED EITHER WAY SINCE THERE IS NO OFFSET.

FRONT HEAD 002B0359 FITS FRT. BRG. BRKT. OF BOTH J-50X & J-60X PUMPS. THE J-60X FRONT BRKT. MUST BE ASSEMBLED WITH STUDS OFFSET TOWARD LONG SHAFT SIDE. THE FRONT BRKT FOR THE J-50X CAN BE MOUNTED EITHER WAY.



UNLESS OTHERWISE SPECIFIED DIMENSIONS ARE IN INCHES.		TOLERANCES ARE IN ACCORDANCE WITH COMMERCIAL PRACTICE UNLESS OTHERWISE INDICATED ON DRAWING		CONTRACT NO. R A SMIGIEL A.Z. 3/12/70		DATE 3/12/70		 Imo Industries Inc. Warren Pumps Inc. Warren, MA, USA 01083-0969	
APPROVED		CHECKED		DRAWN		APPROVED		SIZE D	
A.G.		RHP		RHP		DATE 2/26/70		CAGE CODE 63857	
								ESWS A-1893	
								DRAWING NO. A-1893	
								REV L	
								SHEET 1 OF 1	

DRAWING NO. A-1893 SHEET 1 OF 1